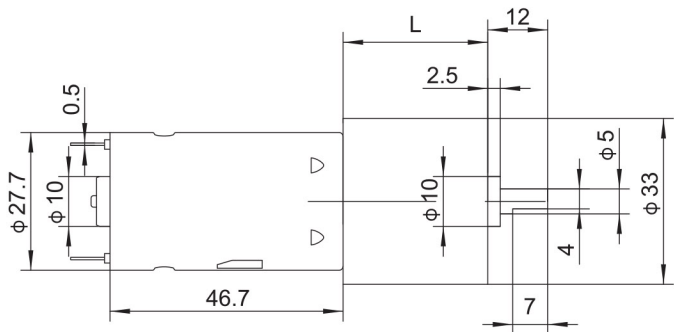
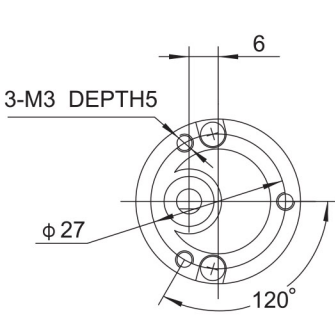




Typical Applications:

- Oiling Machine
- Scavenging Machine
- Other institution

| REDUCTION RATIO | L    | REDUCTION RATIO        | L    |
|-----------------|------|------------------------|------|
| 1/8             | 20   | 1/312.5                | 24.5 |
| 1/20            |      | 1/781.25               | 29   |
| 1/50            |      | 1/1953.125             |      |
| 1/125           | 24.5 | Customization Accepted |      |



GEARED MOTOR TORQUE/SPEED

| Rated Voltage | Reduction ratio      | 1/8   | 1/20  | 1/50  | 1/125 | 1/312.5 | 1/781.25 | 1/1953.125 |
|---------------|----------------------|-------|-------|-------|-------|---------|----------|------------|
| 12V           | Rated torque (Kg.cm) | 0.712 | 1.603 | 3.608 | 6     | 6       | 6        | 6          |
|               | Rated speed (RPM)    | 750   | 300   | 120   | 48    | 19.2    | 7.68     | 3.07       |
| 24V           | Rated torque (Kg.cm) | 0.712 | 1.603 | 3.608 | 6     | 6       | 6        | 6          |
|               | Rated speed (RPM)    | 750   | 300   | 120   | 48    | 19.2    | 7.68     | 3.07       |

GEARED MOTOR TORQUE/SPEED

| MODEL          | VOLTAGE         |         | NO LOAD |         |       | AT MAXIMUM EFFICIENCY |        |        |        | STALL   |       |       |
|----------------|-----------------|---------|---------|---------|-------|-----------------------|--------|--------|--------|---------|-------|-------|
|                | OPERATING RANGE | NOMINAL | SPEED   | CURRENT | SPEED | CURRENT               | TORQUE | OUTPUT | TORQUE | CURRENT |       |       |
|                |                 | V       | r/min   | A       | r/min | A                     | mN.m   | g.cm   | W      | mN.m    | g.cm  | A     |
| RS-395PH-2272  | 6.0 ~ 12.0      | 12.0    | 6000    | 0.120   | 5113  | 0.692                 | 10.63  | 108.4  | 5.67   | 71.87   | 733.3 | 3.987 |
| RS-395PH-15140 | 15.0 ~ 24.0     | 24.0    | 6000    | 0.070   | 5055  | 0.374                 | 7.20   | 73.5   | 5.94   | 45.73   | 466.7 | 2.003 |

